

DEUBLIN

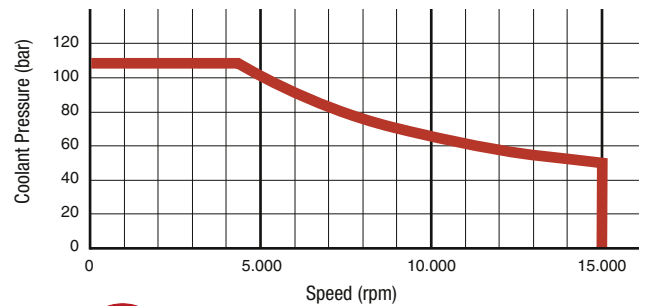
1101 Series "Closed Seal" Rotating Unions for Continuous Coolant Service

- single passage for coolant or MQL
- closed seals for transfer line and similar applications
- full-flow design has no obstructions to trap swarf or debris
- bearing-supported with threaded rotor for easy installation
- deep groove radial ball bearings for smooth operation
- labyrinth system and large vents to protect ball bearings
- balanced mechanical seals made from silicon carbide for long life even under difficult operating conditions
- anodised aluminium components resist corrosion



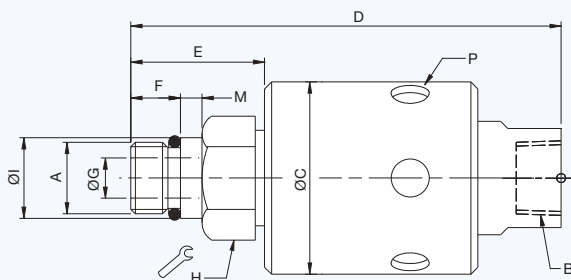
Operating Data

Max. Pressure			
Water-based Coolant	1,523 PSI	105 bar	
MQL (oil mist)	145 PSI	10 bar	
Max. Speed	15,000 RPM	15,000 min ⁻¹	
Max. Flow Rate	5.3 GPM	20 l/min	
Max. Temperature	71 °C	> 71 °C consult DEUBLIN	
Filtration	ISO 4406 Class 17/15/12, max. 60 micron		

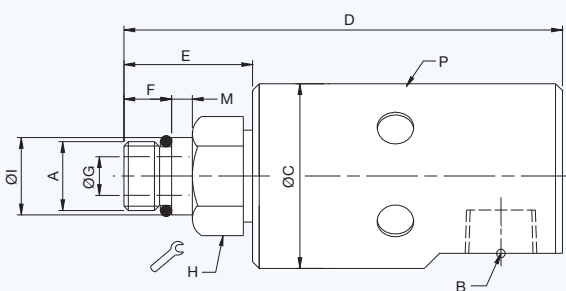


DO NOT RUN DRY

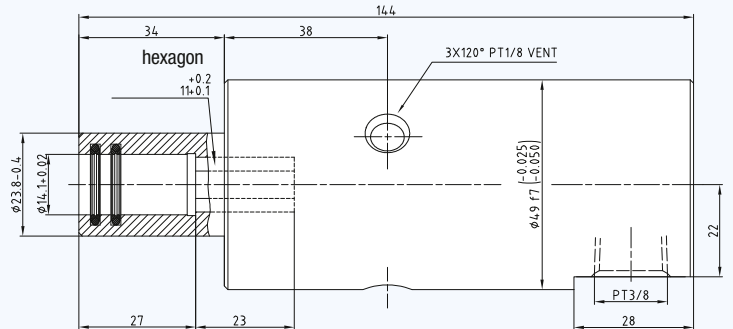
Axial Connection



Radial Connection



Bore Mounted



	Ordering Number	B Supply Connection	C Overall Diameter	D Overall Length	P Vent Size Ø (6 x 60°)	A Rotor Connection	E Rotor Length	F Thread Length	G Bore Diameter	H Across Flats	I Pilot Diameter	M Pilot Length
Axial Connection	1101-235-238	3/8 NPT	43	100	9	5/8-18 UNF LH	33	14	6	15/16"	0.6555" / 0.6553"	5
	1101-235-239	3/8 NPT	43	100	9	5/8-18 UNF RH	33	14	6	15/16"	0.6555" / 0.6553"	5
	1101-235-343	3/8 NPT	43	96	9	M16 x 1.5 LH	30	11	6	24	17.993 / 17.988	5
	1101-235-424	3/8 NPT	43	93	9	M10 x 1 LH	27	11	3.2	24	10.994 / 10.989	3
	1101-359-343	G 3/8	43	96	9	M16 x 1.5 LH	30	11	6	24	17.993 / 17.988	5
	1101-620-343	3/8 NPT	43	96	9	M16 x 1.5 LH	30	11	6	24	17.993 / 17.988	5
Radial	1101-195-343	G 3/8	43	102	9	M16 x 1.5 LH	30	11	6	24	17.993 / 17.988	5
	1101-615-598 ^A	3/8 PT	49	143.5	3 x 1/8 PT	14 mm female hex	34	-	6	-	14.122 / 14.097	27

Note A: Bore-mounted design.